



DuraFlo™ HTC004

HTC004 - Hydraulic Submersible Trash Pump and 800D Drive Unit

APPLICATIONS:

Flood Control

Industrial

Bypass Pumping

Stormwater Drainage

Construction Dewatering

Agriculture

Aquaculture

Quarries

The MWI DuraFlo™ hydraulic submersible trash pumps coupled with their diesel or electric drive units are an unbeatable combination for: drying out construction excavations, quarry dewatering, bypassing sewage, general municipal use and industrial work. These units are designed and manufactured for the toughest environments with the best combination of ruggedness, reliability, performance, operational costs and initial price. DuraFlos never quit – positively affecting your success and bottom line.

FEATURES

800D Diesel Engine Drive Unit

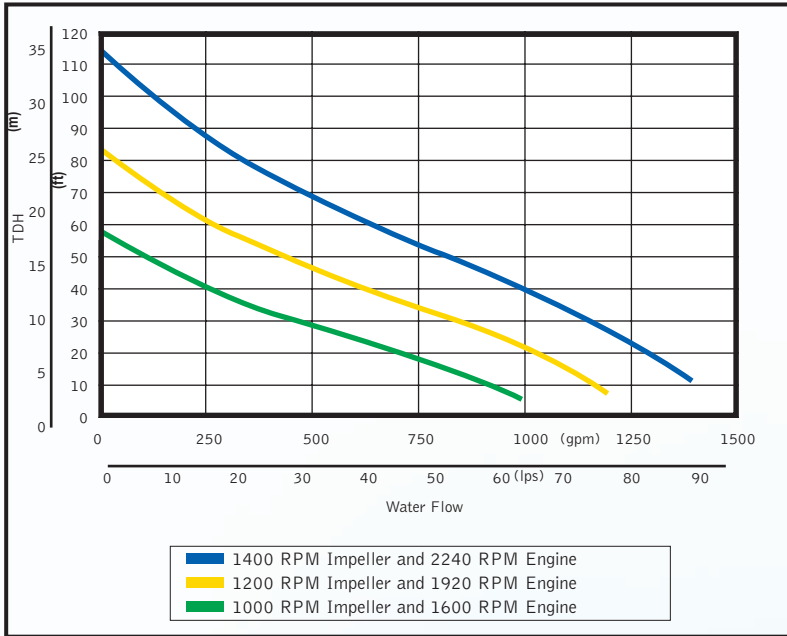
- Skid mounted unit - Standard
 - Trailer mounted unit available - With optional fenders, DOT light kit and braking system
- Engine and hydraulic safety shutdowns
- Complete Hydraulic System with control panel, pump, filters, tank and gauges
- Small hydraulic tank reduces fluid replacement costs
- Reliable, efficient Vane Hydraulic Pump
- Environmentally friendly - inherently biodegradable hydraulic fluid
- Auto Start Stop Panel available with floats

DuraFlo™ - HTC004

- High performance
 - 1350 GPM
 - 113 Ft. TDH
- Open 3 bladed impeller for handling trash and sewage
 - Easily passes 3" solids
- Runs dry indefinitely
 - Oil lubricated seals and bearings
- Reliable, rugged Vane Hydraulic Motor
- Lifting point
- Cast steel volute - Weldable and shock proof



PERFORMANCE



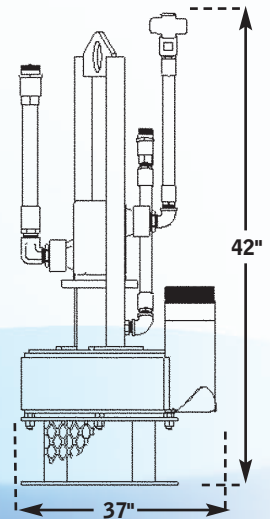
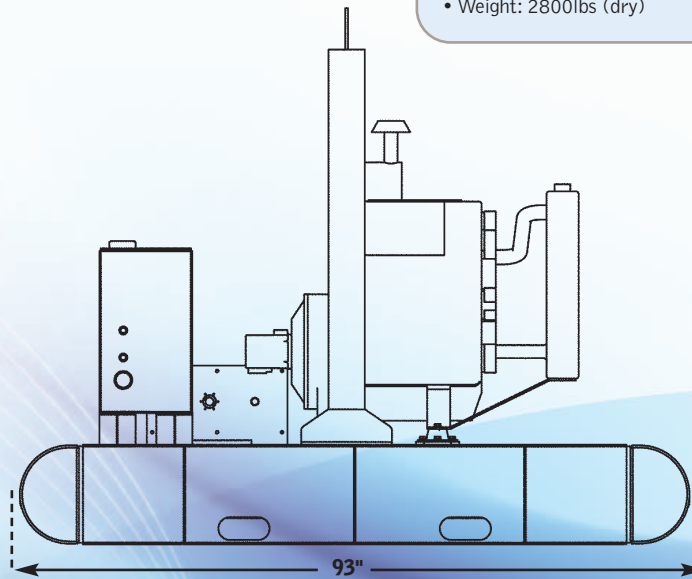
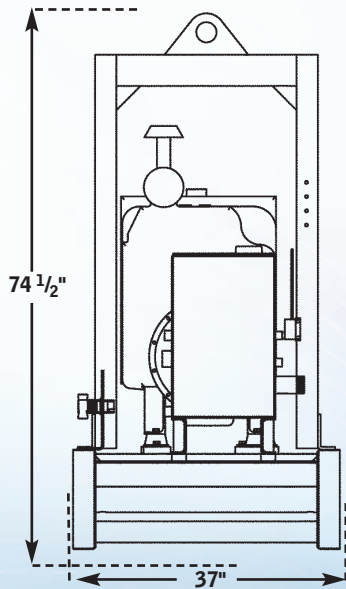
MATERIALS & SPECIFICATIONS

HTC004

- Hydraulic Motor - Dennison Vane Type
- Impeller - 3 bladed open - A 36 steel
- Shaft material - 300 series stainless steel
- Volute - ASTM corrosion-resistant cast steel
- Discharge - 4" Male NPT
- Hydraulic quick disconnects - 3/4" Supply, 1" Return, 3/4" Case Drain
- Mechanical seal - Silicone carbide - Hydraulic-fluid bathed
- Bearings - Hydraulic-fluid lubricated - 50,000 hours - Minimum life.
- Weight - 175 lbs
- Coating - MoTar Standard - Epoxy optional

800 Drive Unit

- Diesel engine - 30+ HP at 1800 RPM
- Engine panel with tach, hour meter, high coolant temperature and low oil pressure shutdowns plus over speed protection.
- 78 gallon vented fuel tank with extra large filler and fuel gauge.
- 10 gallon hydraulic fluid tank
- Safety shutdowns for low hydraulic oil, excessive vacuum and high hydraulic oil temperature.
- Equipped with an internal suction strainer, return filter, external sight gauge for hydraulic oil and vented hydraulic oil filler cap.
- Hydraulic pump - Dennison Vane type
- Output - 15 GPM at 2500 psi
- Weight: 2800lbs (dry)



MWI Corp. DuraFlo is a registered trademark. Copyright 2011. All rights reserved. Designs and specifications may change due to continual improvement of our products. P0211

Moving Water Worldwide - Reliably and Efficiently

201 N. Federal Highway Deerfield Beach, Florida 33441 USA
Phone: (954) 426-1500 Fax: (954) 426-1582 E-mail: info@mwicorp.com www.mwipumps.com